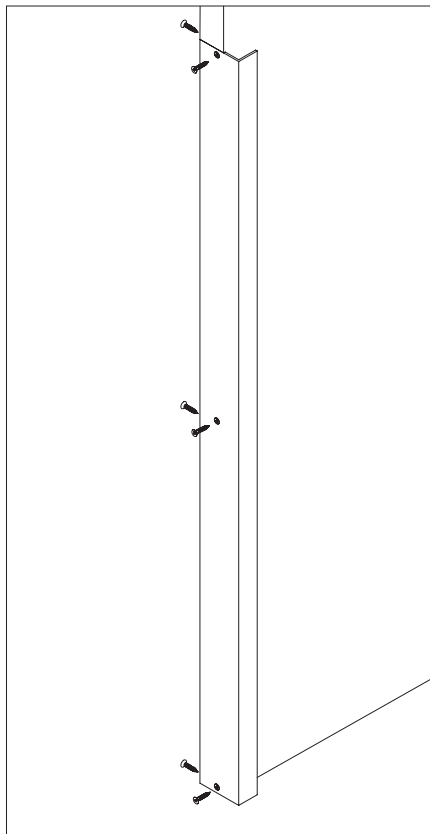
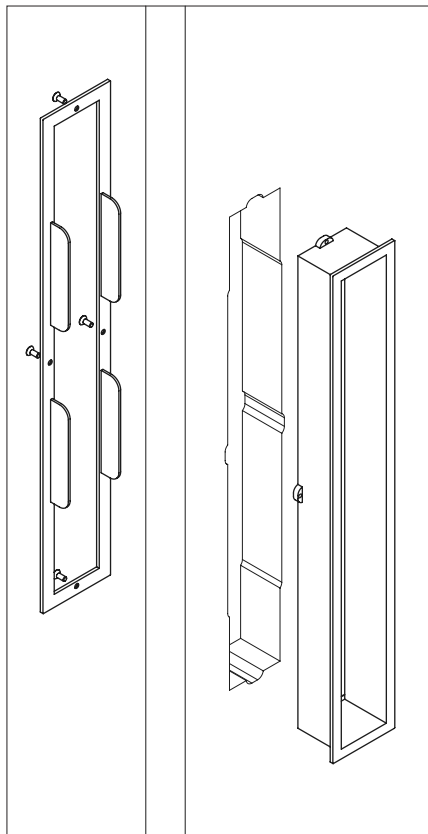


# TECHNICAL INFORMATION

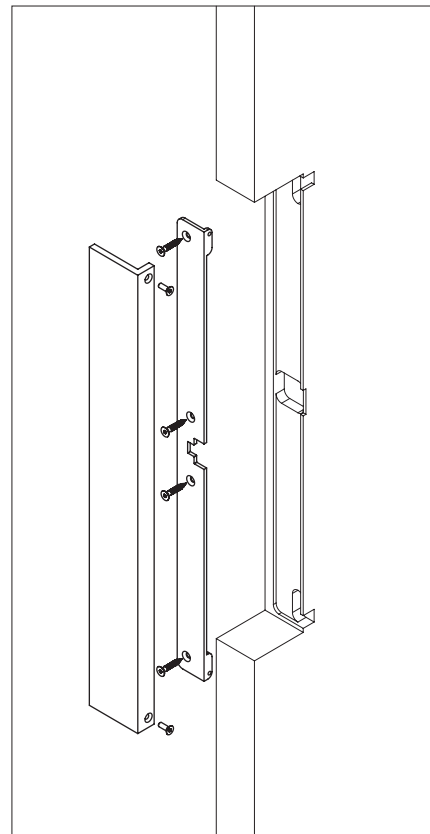
**FIXING KIT INCLUDED (WOOD DOOR ONLY)**



**GBD.D01.0001**  
**GBD.D01.0002**



**GBD.D02.0001**  
**GBD.D02.0002**



**GBD.D03.0001**  
**GBD.D03.0002**

**Chemical composition of AISI stainless steel grades**

<i>Material - Stainless steel</i>	<i>C%</i>	<i>Cr%</i>	<i>Ni%</i>	<i>Mo%</i>
AISI 430 (1.4016)	0,12 max	14.0-18.0	/	/
AISI 304 (1.4301)	0,08 max	18.0-20.0	8.0-10.5	/
AISI 316 (1.4401)	0,08 max	16.0-18.0	10.0-14.0	2.00-3.00
<b>AISI 316L (1.4404) *</b>	<b>0,03 max</b>	<b>16.0-18.0</b>	<b>10.0-14.0</b>	<b>2.00-3.00</b>

\*Standard pba

**Estimated pit corrosion time – time to penetrate 1 mm (years) by steel type**

<i>Location - Stainless Steel</i>	<i>Marine</i>	<i>Semi-industrial</i>	<i>Rural</i>
Stainless steel AISI 430 (1.4016)	N/A	85	250
Stainless steel AISI 304 (1.4301)	145	135	770
<b>Stainless steel AISI 316 (1.4401)</b>	<b>260</b>	<b>525</b>	<b>1200</b>

Source: *The British Stainless Steel Association [BSSA]*

The stainless steel AISI 316L is an austenitic alloy. It is distinguished from others inoxidizable steels by the high percentage of molybdenum which gives it a special resistance to pitting corrosion and stress corrosion. In this kind of stainless steel, the percentage of nickel is increased to guarantee stability. Further, the "L" stands for low carbon and, in fact, the quantity is less than or equal to 0.03%. This feature prolongs the chrome carbide's precipitation time and avoids the risk of intergranular corrosion during the welding process.

## PBA PRODUCTS CONTRIBUTE TOWARD SATISFYING PREREQUISITES AND CREDITS UNDER LEED

LEED® (Leadership in Energy Environmental Design) is a voluntary certification system for the management, design and construction of buildings that are sustainable from a social, environmental and economic point of view and in terms of the wellbeing of the users. Established in the United States in 1993 by the U.S. Green Building Council (USGBC), LEED is now the most widespread building sustainability certification standard in the world. It considers every field that involves the design and management of buildings or neighbourhoods, both commercial and residential new or undergoing requalification.

## DECLARE LABEL

The Integrated Door Pull Collection is [Declare Red List Free](#). The Declare Label is like a nutrition label for the building industry. It is a product transparency disclosure that lists the ingredients in products to help customers ensure healthier indoor living environments. It discloses where a product comes from, the materials it is made from, and its end-of-life pathway. The International Living Future Institute hosts a transparency platform and product database featuring Declare that helps stakeholders in the building industry find products free from hazardous substances. The Declare Label has been approved as a compliance pathway for the green building certification system LEED v4. Declare labels that achieve a declaration status of “Red List Free” fulfill the credit disclosure requirements. The Red List contains the worst in class materials prevalent in the building industry, which pollute the environment, bio-accumulate to toxic levels in the food chain, and/or are harmful to construction and factory workers.

## ADA

All products in this collection adhere to the current ADA standards and similar accessibility requirements. However, final interpretation of accessibility compliance is the responsibility of the specifier and should be determined according to specific project conditions and local codes.

## INSTALLATION NOTES

Hardwood or medium-density fiberboard (MDF) substrates are recommended. Lesser grade materials, such as particle board, could affect connection strength. The size of the required gap between door panels should be determined based on the door thickness, the profile of the leading door edge, and the type and location of the door hinges.

## MAINTENANCE

