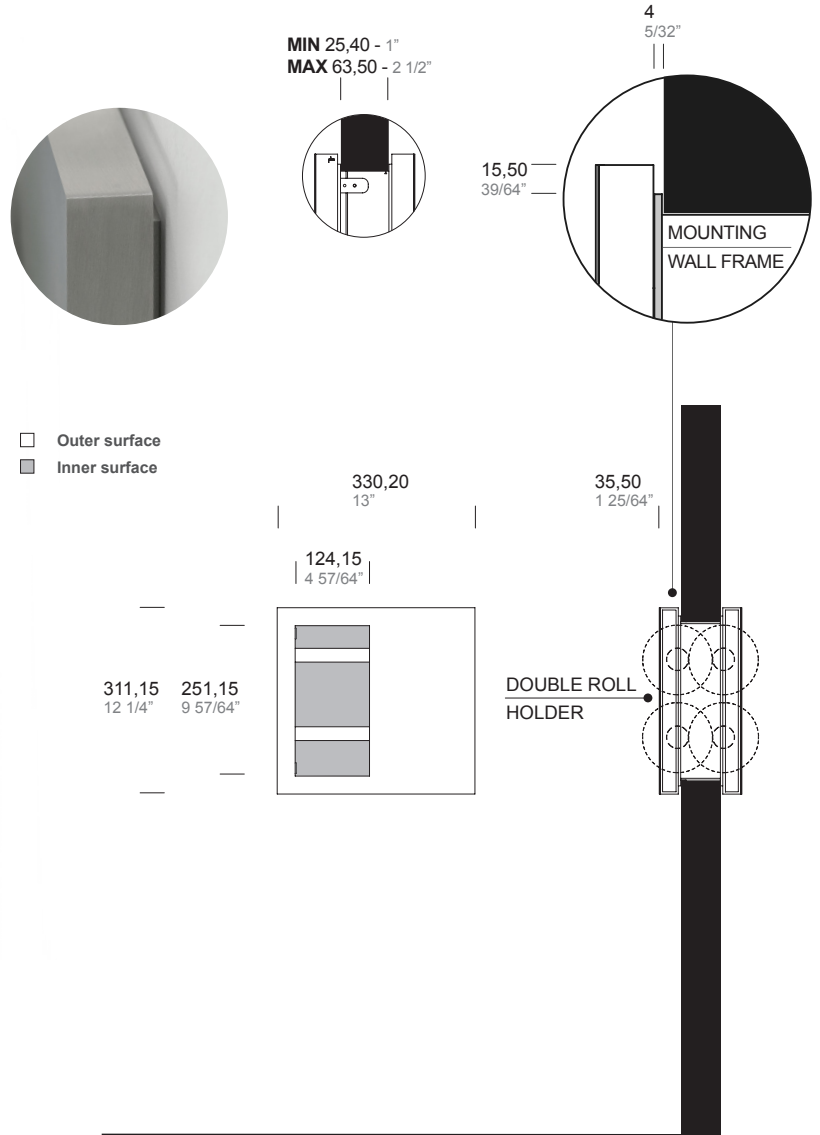


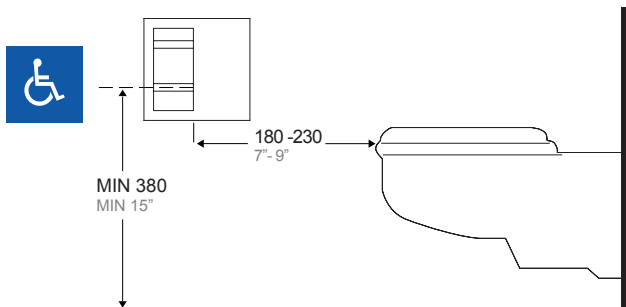
ITEM

GBA.114.0000.xx

TOILET TISSUE DISPENSER DOUBLE SMALL ROLL - PARTITION UNIT



PARTITION OPENING
Height: 10 5/8" (270 mm)
Width: 11 3/8" (289 mm)

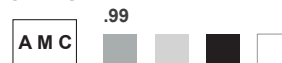


.XX STANDARD COMBINATION FINISHES OUTER AND INNER SURFACE

	SATIN		POWDER COATED			
	.44	.31	.38	.39	.32	.40
<input type="checkbox"/> OUTER						
<input type="checkbox"/> INNER AND MOUNTING WALL FRAME						

INNER SURFACE FINISH OPTIONS ON REQUEST *
* minimum order quantity

ANTI-MICROBIAL COATING



For more information on compliant location see project guide page 137.

The manufacturer reserves the right to alter, improve and discontinue any features of the product [make changes and improvements in designs and dimensions] without notice.

**SPECIFICATION:**

Back to back toilet tissue dispenser for partition unit with overall dimensions 13" W x 12-1/4" H and 1-25/64" total projection from panel. Mounting frame in 5/32" (4 mm) thick welded on a all-welded construction in 3/64" (1 mm) thick type 316L stainless steel with powder coated finish.

Frame with beautiful non-rounded design made with 5/64" (2 mm) thick type 316L stainless steel welded-per-point. Reinforced structure with rectangular 1-13/16"x25/35" (30 x 20 mm) type 316L stainless steel tube. Exposed surfaces have satin finish.

Removable spring loaded spindles included.

The dispenser accommodates two toilet tissue rolls on each side.

Fits standard size toilet paper rolls up to a maximum of 5" (127 mm) diameter x 4-5/32" (105,5 mm) width with standard core.

OPERATION:

To replace the roll once is finished push or pull the exposed portion of the spring loaded spindle toward one side, to retract it. Remove the spindle and finished roll and replace the roll with a new one. Then reinstall the spindle with the new roll in the original location.

INSTALLATION:

Provide panel opening 10-5/8" height x 11-3/8" width (270 x 289 mm).

Mount both sides of the dispenser back to back through the panel and fasten the 4 screws over the black caps then secure the dispenser to the panel with provided screws.

Suitable for installation on panels from 1" to 2-1/2" thickness.

NOTE:

On the satin finish, possible differences in the brushing are the result of the manufacturing process and must be considered acceptable.

Minimal welding discontinuities must be considered acceptable.

