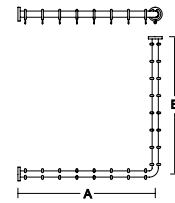
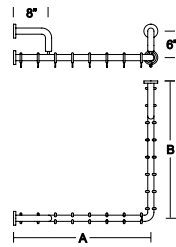


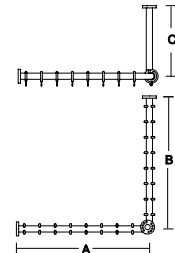
ITEM	A	Ø
4CS.429.001U . xx	32"	8
4CS.429.002U . xx	36"	9
4CS.429.003U . xx	42"	10
4CS.429.004U . xx	48"	12
4CS.429.005U . xx	60"	15
4CS.429.006U . xx	72"	18



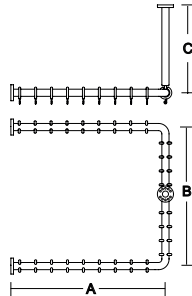
ITEM	A	B	Ø
4CS.436.001U . xx	32"	32"	16



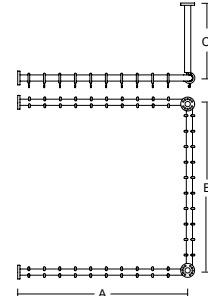
ITEM	A	B	Ø
4CS.436.0P1U . xx	32"	32"	16



ITEM	A	B	C	Ø
4CS.436.0B1U . xx	32"	32"	17"	16
4CS.436.0B2U . xx	36"	36"	17"	18
4CS.436.0B3U . xx	42"	42"	17"	20



ITEM	A	B	C	Ø
4CS.437.001U . xx	32"	32"	17"	24



ITEM	A	B	C	Ø
4CS.437.0B1U . xx	32"	32"	17"	24

SHOWER CURTAIN RAIL

Rail 1/16" (1,5 mm) thick, in type 316L stainless steel tubing with 1-17/64" (32 mm) outer diameter.
 Cover in type 316L stainless steel. Mounting flanges with steel core 1/8" (3 mm) thickness, stainless steel covers and fully recyclable polyamide-6 wall protection.
 Each cover snaps over mounting flange to conceal mounting screws. Fully recyclable polyamide-6 curtain rings.

MOUNTING KITS not included.

Optional mounting kit for concrete, natural stone, solid brick and hollow brick: KIT 4CN.0VM.0004.00.
 Optional mounting kit for sheetrock wall and wooden plate: KIT 4CN.0VM.0010.00.

One Mounting kit is required for each flange.

SUSTAINABILITY

This product contributes to LEED® credit

STAINLESS STEEL AISI 316

.XX FINISH	.44	.43
.44 SATIN		
.43 BRIGHT		

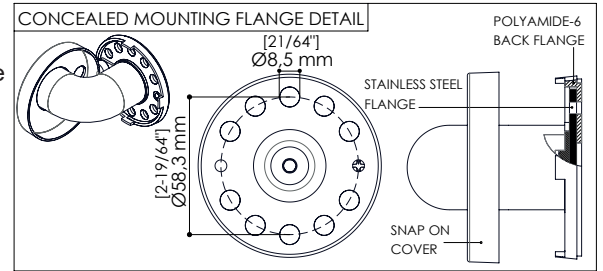
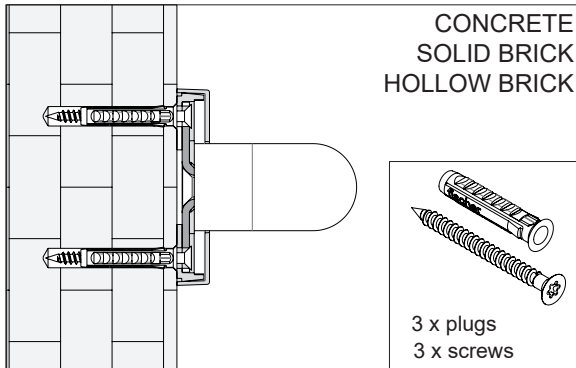
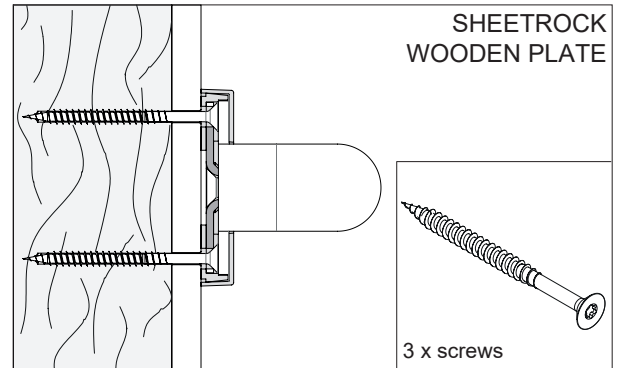


SHOWER CURTAIN RAIL

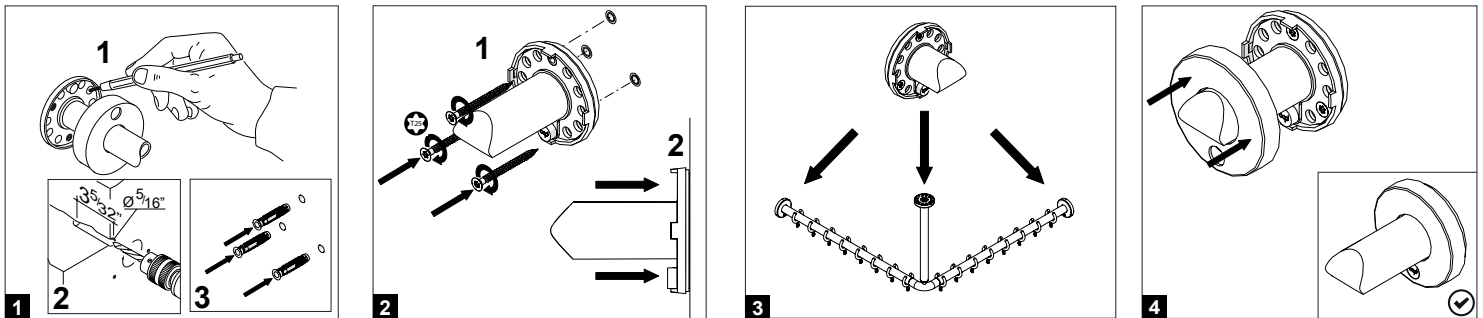
Provide concealed anchor device or backing as specified or required in accordance with local building codes before wall is finished.

Fasten concealed mounting flanges to anchor device or backing with three screws in each flange.

Concealed anchor devices and mounting screws are not included with PBA shower curtain rail and must be specified as optional mounting kit.


AVAILABLE MOUNTING KITS:
4CN.0VM.0004.00

4CN.0VM.0010.00

INSTALLATION ON WALL WITH PBA KIT 4CN.0VM.0004.00

Place shower curtain rail in desired mounting location. Use mounting flanges as a template to mark location of mounting screws. Mark screw location for each mounting flange and remove shower curtain rail from wall. Drill $\text{Ø}5/16"$ (8 mm) and insert plugs. Place shower curtain rail and drive mounting screws into plugs and secure tightly. Press all snap-flange covers into place to conceal mounting flanges.


INSTALLATION ON WALL WITH PBA KIT 4CN.0VM.0010.00

Place shower curtain rail in desired mounting location. Drive mounting screws in each flange and secure tightly. Press all snap-flange covers into place to conceal mounting flanges.

CLEANING AND MAINTENANCE

DO NOT USE abrasive liquid detergents

