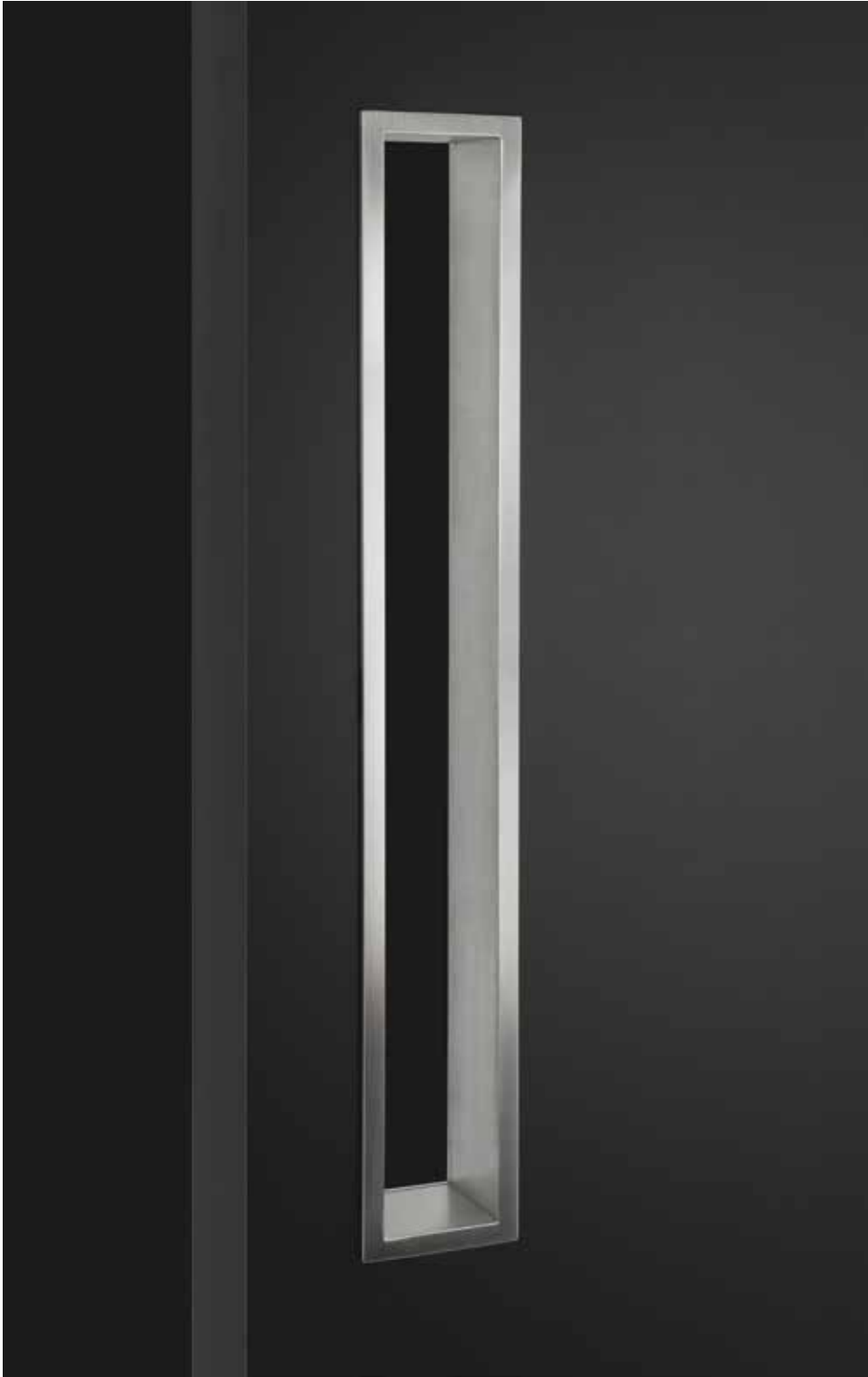


INTEGRATED DOOR PULLS



IT

CODE	MATERIALE	FINITURA		.XX	* colori indicativi	
GBD.	ACCIAIO INOX AISI 316L	A richiesta: SATINATO	LRV 53	.44	■	
		VERNICIATO	Nero 9005 Opaco		.40	■
			Bianco 9010		.31	□
			Grigio		.32	■
			Champagne		.38	■
			Bronzo		.39	■
			Viti, grani e componenti in nylon non verniciati Lotti minimi da concordare			

EN

MATERIAL	FINISH		.XX	* indicative colors	
STAINLESS STEEL AISI 316L	Standard: SATIN	LRV 53	.44	■	
	POWDER-COATED	Black 9005 Matt		.40	■
		White 9010		.31	□
		Grey		.32	■
		Champagne		.38	■
		Bronze		.39	■
		Screws, grub screws and plastic parts non powder-coated. Available on request depending on quantities.			

DESIGN 1

Acciaio Inox AISI 316L
Stainless Steel AISI 316L

Page 150



DESIGN 2

Acciaio Inox AISI 316L
Stainless Steel AISI 316L

Page 151



DESIGN 3

Acciaio Inox AISI 316L
Stainless Steel AISI 316L

Page 152



DESIGN 4

Acciaio Inox AISI 316L
Stainless Steel AISI 316L

Page 153

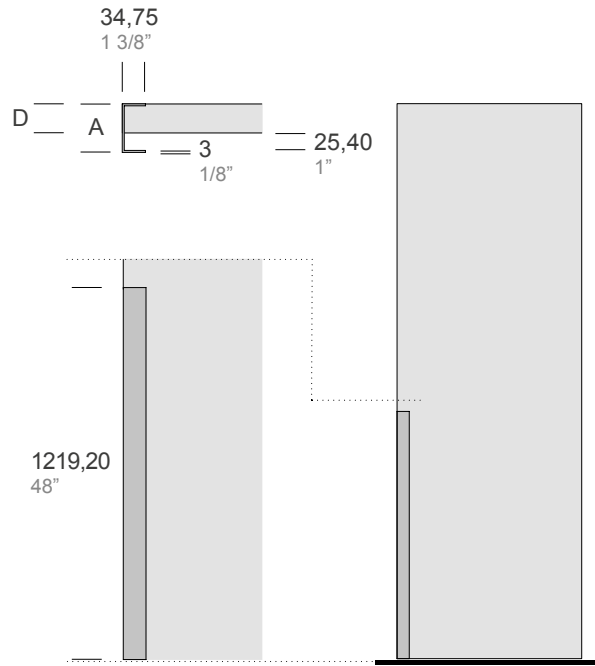


INFORMAZIONI TECNICHE
TECHNICAL REFERENCES
Page 154



SINGLE DOOR

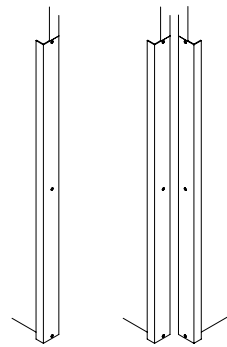
FACING DOORS



Note:
The size of the required gap between door panels should be determined based on the door thickness, the profile of the leading door edge, and the type and location of the door hinges.

Design 1

ART.	A	D (DOOR THICKNESS)
GBD.D01.0001 .xx	72,85 mm 2 7/8"	44,45 mm 1 3/4"
GBD.D01.0002 .xx	85,55 mm 3 3/8"	57,15 mm 2 1/4"



SINGLE DOOR

FACING DOORS

.XX = FINITURA
FINISH
FINITION
AFWERKING
page 147

ACCIAIO INOX
STAINLESS STEEL .44

ACCIAIO INOX VERNICIATO
STAINLESS STEEL POWDER COATED .40 .31 .32 .38 .39

FISSAGGIO PER PORTE IN LEGNO INCLUSO
WOOD DOOR FIXING KIT INCLUDED:
Stainless Steel fixings for Satin, White, and Champagne finishes;
Black fixings for Bronze, Grey, and Black finishes.

THESE PRODUCTS CONTRIBUTE TO LEED® CREDITS

pba si riserva il diritto di modificare, migliorare e sospendere qualsiasi caratteristica del prodotto (modifiche e miglioramenti nei disegni tecnici e nelle dimensioni) senza preavviso.

The manufacturer reserves the right to alter, improve and discontinue any features of the product (make changes and improvements in designs and dimensions) without notice.

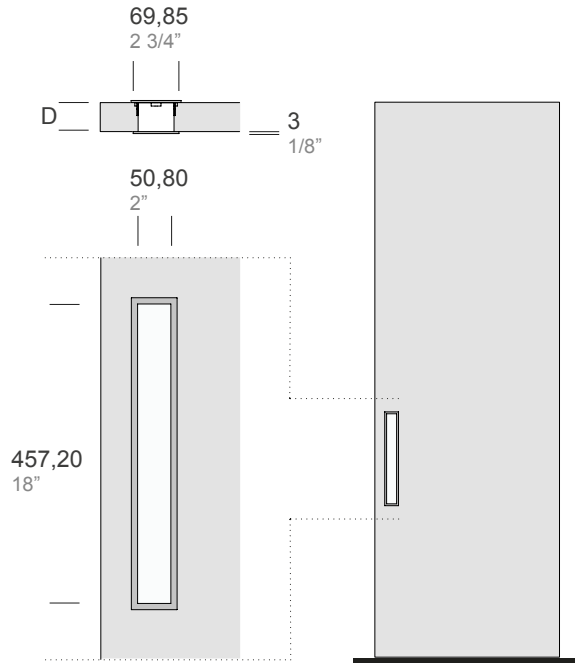
I disegni riportati a catalogo sono indicativi degli ingombri.
Richiedere il disegno tecnico prima di effettuare le lavorazioni per l'installazione.
All dimensions in the catalog drawings are approximations.
Request the appropriate technical drawing before door preparation and installation.





SINGLE DOOR

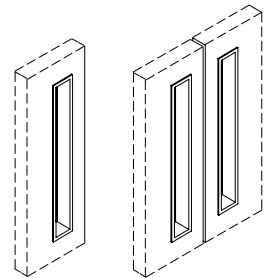
FACING DOORS



Note:
The size of the required gap between door panels should be determined based on the door thickness, the profile of the leading door edge, and the type and location of the door hinges.

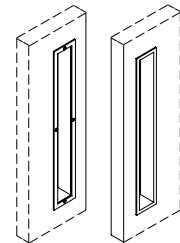
Design 2

ART.	D (DOOR THICKNESS)
GBD.D02.0001 .xx	44,45 mm 1 3/4"
GBD.D02.0002 .xx	57,15 mm 2 1/4"



SINGLE DOOR

FACING DOORS



BACK

FRONT

.XX = FINITURA FINISH FINITION AFWERKING page 147	ACCIAIO INOX STAINLESS STEEL	ACCIAIO INOX VERNICIATO STAINLESS STEEL POWDER COATED
	.44	.40 .31 .32 .38 .39

FISSAGGIO PER PORTE IN LEGNO INCLUSO
WOOD DOOR FIXING KIT INCLUDED:
Stainless Steel fixings for Satin, White, and Champagne finishes;
Black fixings for Bronze, Grey, and Black finishes.

THESE PRODUCTS CONTRIBUTE TO LEED® CREDITS

pba si riserva il diritto di modificare, migliorare e sospendere qualsiasi caratteristica del prodotto (modifiche e miglioramenti nei disegni tecnici e nelle dimensioni) senza preavviso.

The manufacturer reserves the right to alter, improve and discontinue any features of the product (make changes and improvements in designs and dimensions) without notice.

I disegni riportati a catalogo sono indicativi degli ingombri.
Richiedere il disegno tecnico prima di effettuare le lavorazioni per l'installazione.

All dimensions in the catalog drawings are approximations.
Request the appropriate technical drawing before door preparation and installation.



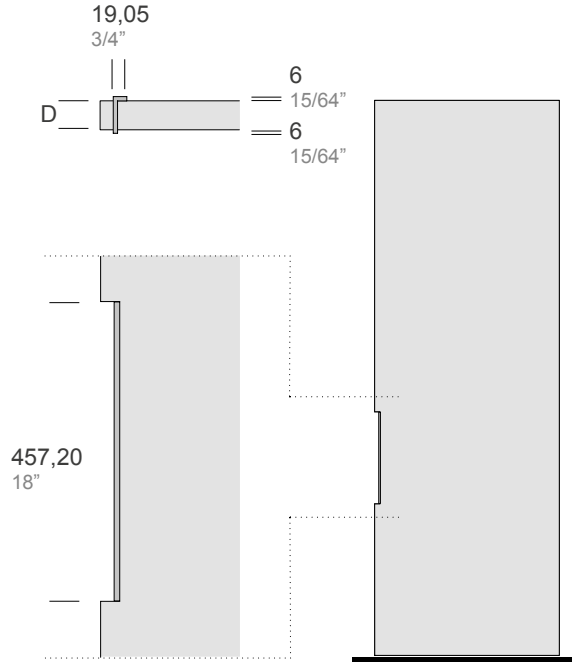
THE INTERNATIONAL EPD® SYSTEM





SINGLE DOOR

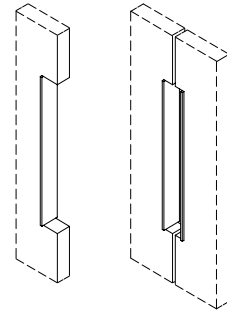
FACING DOORS



Note:
The size of the required gap between door panels should be determined based on the door thickness, the profile of the leading door edge, and the type and location of the door hinges.

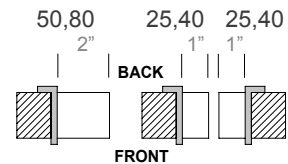
Design 3

ART.	D (DOOR THICKNESS)
GBD.D03.0001 .xx	44,45 mm 1 3/4"
GBD.D03.0002 .xx	57,15 mm 2 1/4"



SINGLE DOOR FACING DOORS

SUGGESTED DEPTH FOR USABILITY



.XX = FINITURA FINISH FINITION AFWERKING page 147	ACCIAIO INOX STAINLESS STEEL	.44
	ACCIAIO INOX VERNICIATO STAINLESS STEEL POWDER COATED	.40 .31 .32 .38 .39

FISSAGGIO PER PORTE IN LEGNO INCLUSO
WOOD DOOR FIXING KIT INCLUDED:
Stainless Steel fixings for Satin, White, and Champagne finishes;
Black fixings for Bronze, Grey, and Black finishes.

THESE PRODUCTS CONTRIBUTE TO LEED® CREDITS

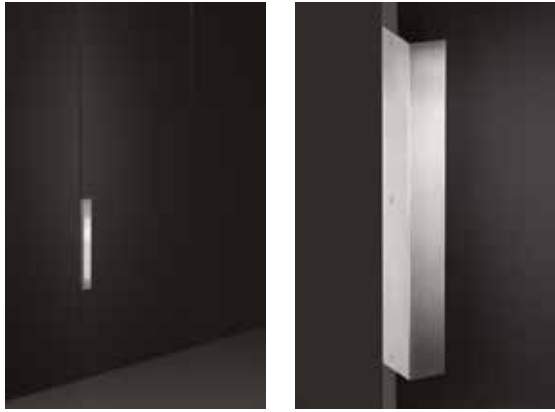
pba si riserva il diritto di modificare, migliorare e sospendere qualsiasi caratteristica del prodotto (modifiche e miglioramenti nei disegni tecnici e nelle dimensioni) senza preavviso.

The manufacturer reserves the right to alter, improve and discontinue any features of the product (make changes and improvements in designs and dimensions) without notice.

I disegni riportati a catalogo sono indicativi degli ingombri.
Richiedere il disegno tecnico prima di effettuare le lavorazioni per l'installazione.

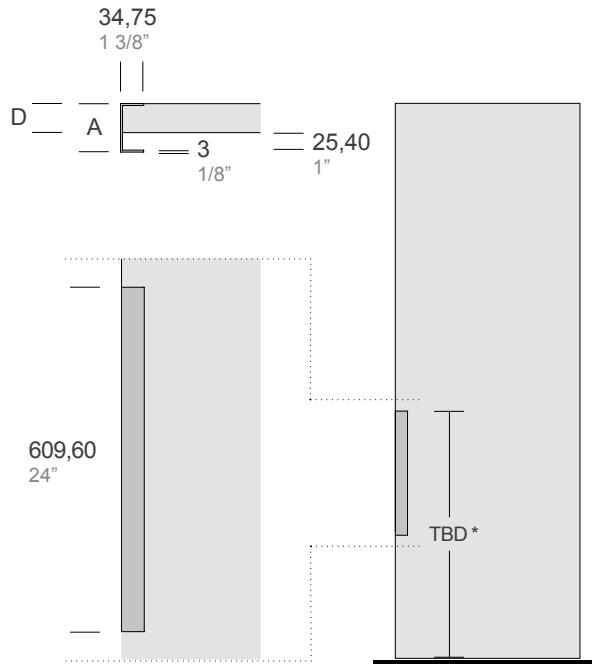
All dimensions in the catalog drawings are approximations.
Request the appropriate technical drawing before door preparation and installation.





SINGLE DOOR

FACING DOORS

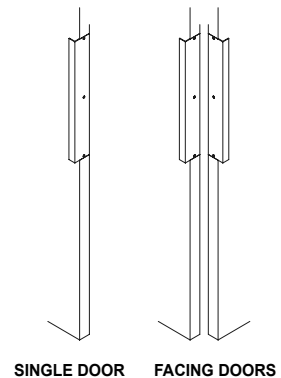


* According to ADA Door and Gate Hardware [§ 404.2.7]

Note:
The size of the required gap between door panels should be determined based on the door thickness, the profile of the leading door edge, and the type and location of the door hinges.

Design 4

ART.	A	D (DOOR THICKNESS)
GBD.D04.0001 .xx	72,85 mm 2 7/8"	44,45 mm 1 3/4"
GBD.D04.0002 .xx	85,55 mm 3 3/8"	57,15 mm 2 1/4"



SINGLE DOOR

FACING DOORS

.XX = FINITURA FINISH FINITION AFWERKING page 147	ACCIAIO INOX STAINLESS STEEL	ACCIAIO INOX VERNICIATO STAINLESS STEEL POWDER COATED
	44	.40 .31 .32 .38 .39

FISSAGGIO PER PORTE IN LEGNO INCLUSO
WOOD DOOR FIXING KIT INCLUDED:
Stainless Steel fixings for Satin, White, and Champagne finishes;
Black fixings for Bronze, Grey, and Black finishes.

THESE PRODUCTS CONTRIBUTE TO LEED® CREDITS

pba si riserva il diritto di modificare, migliorare e sospendere qualsiasi caratteristica del prodotto (modifiche e miglioramenti nei disegni tecnici e nelle dimensioni) senza preavviso.

The manufacturer reserves the right to alter, improve and discontinue any features of the product (make changes and improvements in designs and dimensions) without notice.

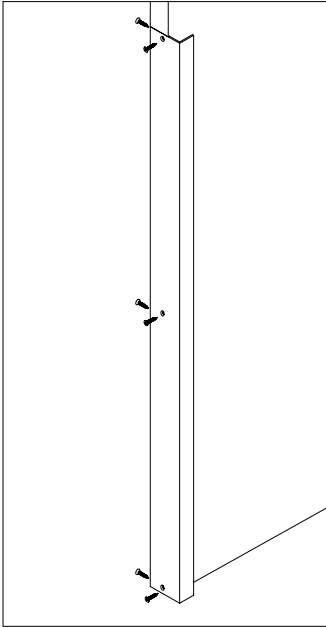
I disegni riportati a catalogo sono indicativi degli ingombri.
Richiedere il disegno tecnico prima di effettuare le lavorazioni per l'installazione.

All dimensions in the catalog drawings are approximations.
Request the appropriate technical drawing before door preparation and installation.

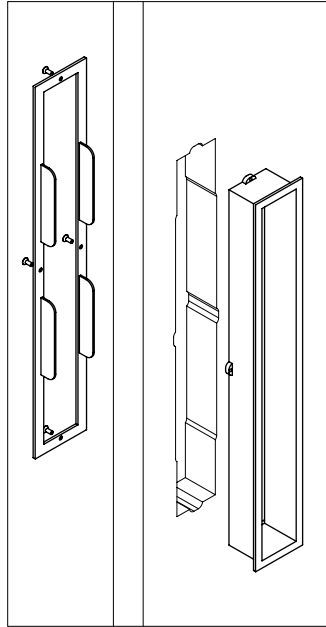


TECHNICAL INFORMATION

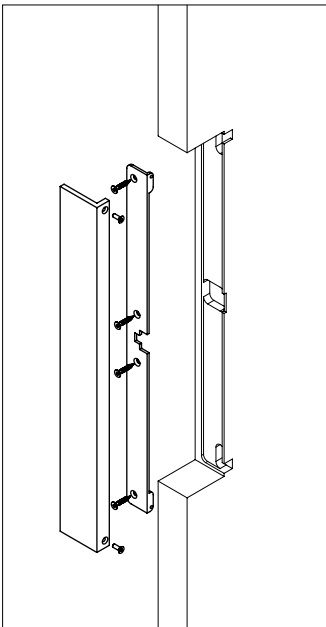
FIXING KIT INCLUDED (WOOD DOOR ONLY)



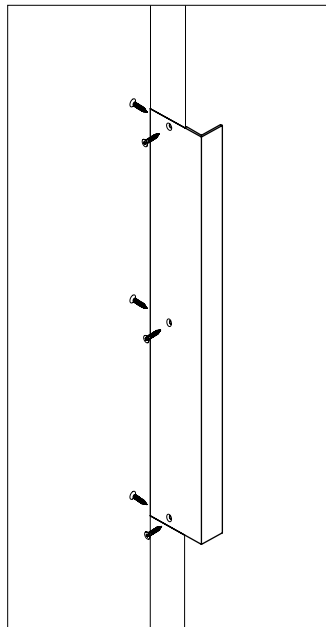
GBD.D01.0001
GBD.D01.0002



GBD.D02.0001
GBD.D02.0002



GBD.D03.0001
GBD.D03.0002



GBD.D04.0001
GBD.D04.0002